



Naming Rules:

AK R 10 A - 45

AK: Aluminum alloy
Crossed-roller bearings,
High precision

Fine adjustment range:
10: 10°

Table Size:
45: φ45mm
60: φ60mm
90: φ90mm
120: φ120mm

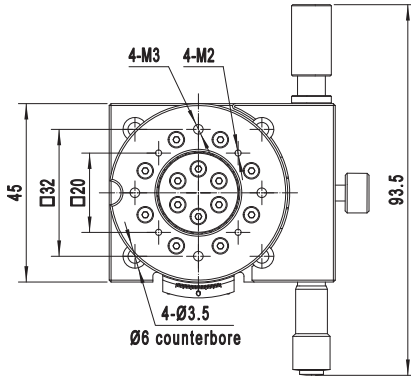
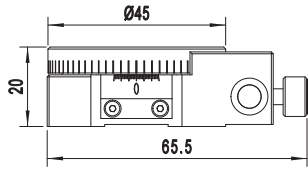
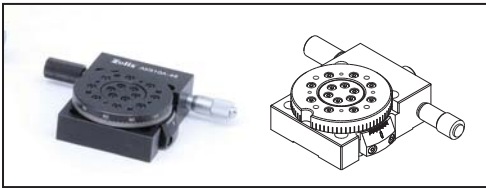
R: Rotation stage

Selection Table

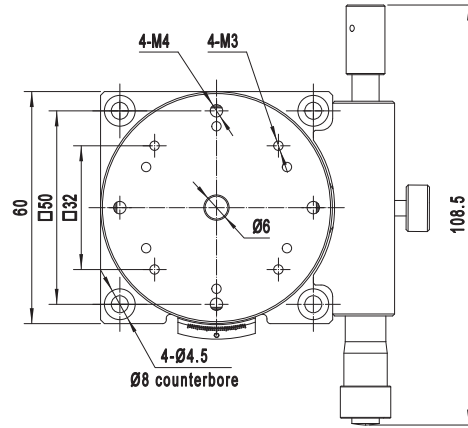
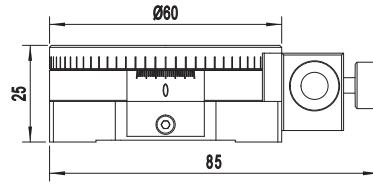
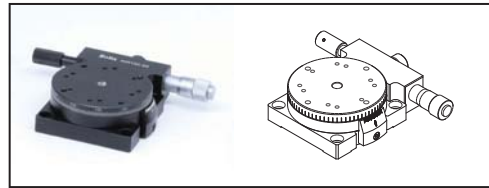
Model		AKR10A-45	AKR10A-60	AKR10A-90	AKR10A-120
Travel	Coarse range(°)	360			
	Fine range(°)	10			
Table Size(mm)		φ 45	φ 60	φ 90	φ 120
Thickness(mm)		20	25	25	30
Weight(Kg)		0.16	0.35	0.76	1.5
Sensitivity(')		1.21	0.95	0.68	0.49
Static parallelism(mm)		≤0.05			
Face runout(um)		≤40		≤30	
Radial runout(um)		/		≤50	
The rotation angle by micrometer rotation one circle(°)		≈1.01	≈0.74	≈0.55	≈0.41
Load(Kg)		1.5	2	3	3

Dimensions:

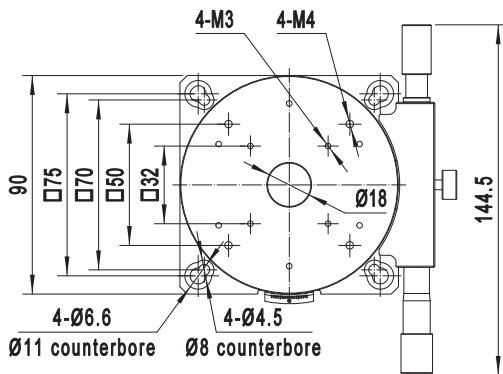
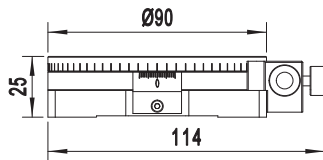
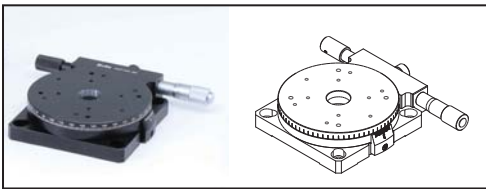
AKR10A-45



AKR10A-60



AKR10A-90



AKR10A-120

