

MGON series High Precision Goniometer



Naming Rules:

MGON 40 - 40 (SL)

Center height:
40: 40mm
50: 50mm
57: 57mm
75: 75mm

Table size:
40: 40mm × 40mm
60: 60mm × 60mm

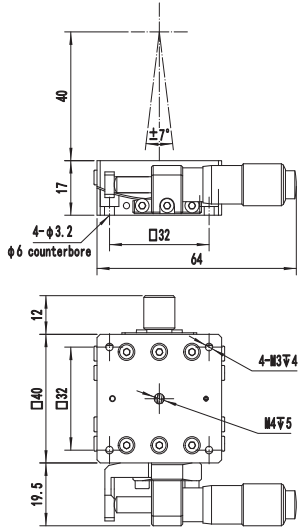
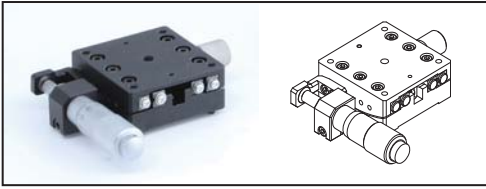
Drive position:
SL: drive in the left
SR: drive in the right

Selection Table:

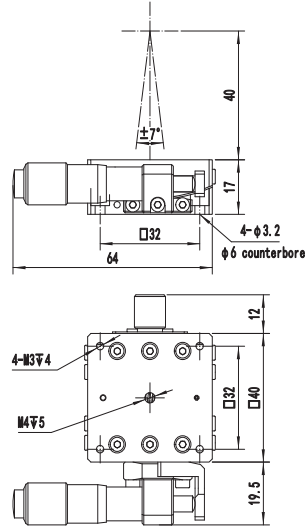
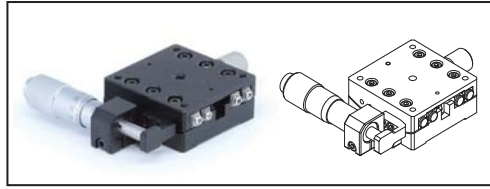
Model	MGON40-40SL/SR	MGON57-40SL/SR	MGON50-60SL/SR	MGON75-60SL/SR
Travel(°)	±7		±4	
Center Height(mm)	40	57	50	75
Table Size(mm)	40×40		60×60	
Thickness(mm)	17		25	
Actuators	micrometer			
Weight(Kg)	0.12	0.12	0.32	0.32
Rotation center runout(μm)	≤15			
Load(Kg)	3		5	

Dimensions:

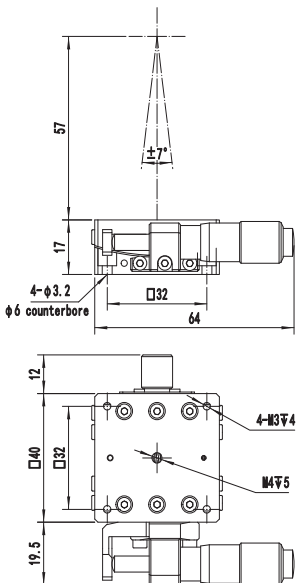
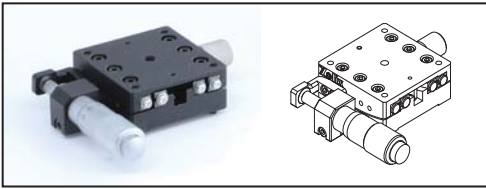
MGON40-40SL



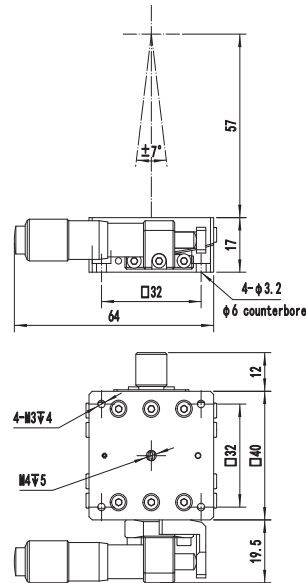
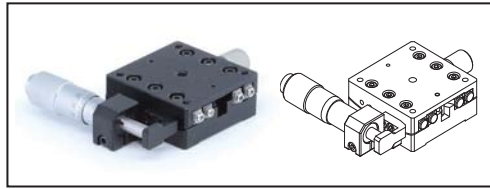
MGON40-40SR



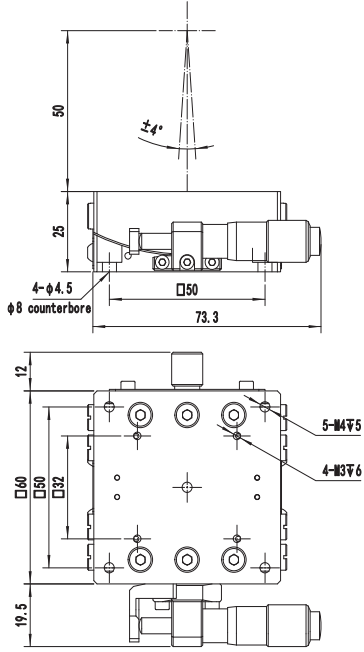
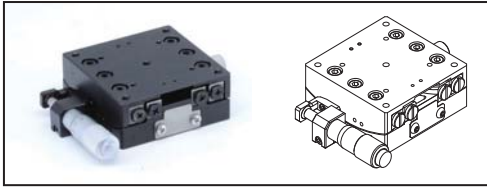
MGON57-40SL



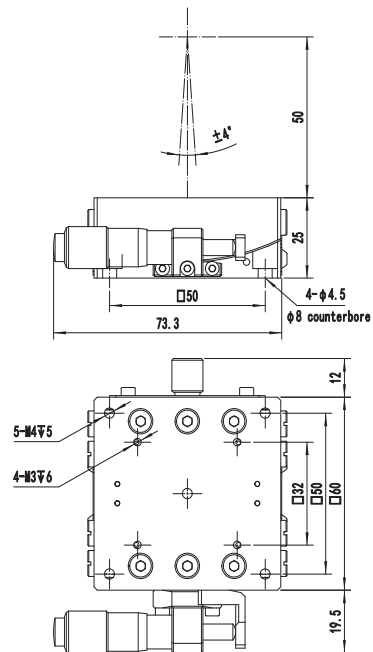
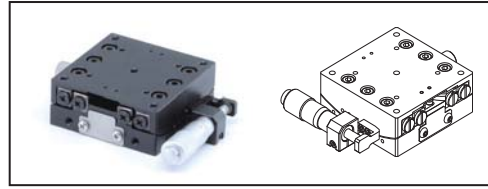
MGON57-40SR



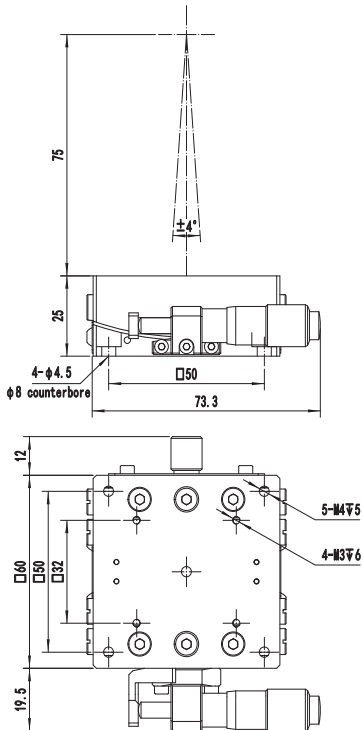
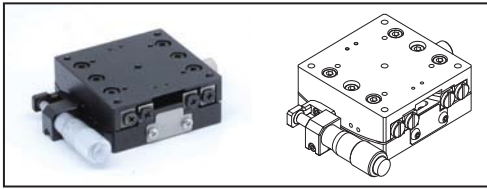
MGON50-60SL



MGON50-60SR



MGON75-60SL



MGON75-60SR

