

# MAD series Kinematic Mirror Adaptor

## MAD25-45MH-xx series 45 Mirror Adaptor



### Brief Introduction:

MAD25-45MH-xx series 45 deg mirror adaptor come with 1 inch through hole, can mount the mirror or the beam splitter.

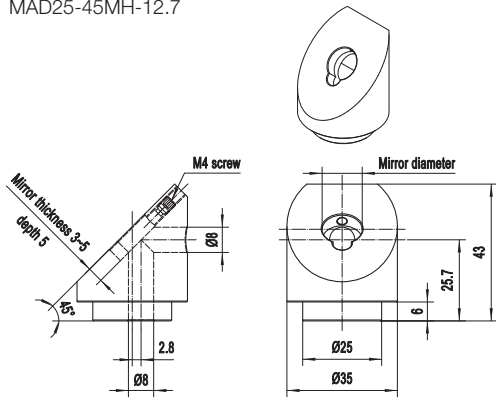
MAD25-45MH-M is the 45 deg adaptor for the OMUS/OMHS series kinematic mirror mount

### Selection Table:

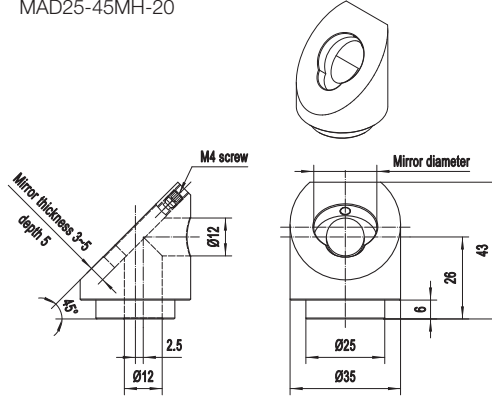
Model	Name	Mirror Size(mm)	Mirror Thick(mm)	Mounting Hole Diameter(mm)
MAD25-45MH-12.7	45 deg Mirror holder	φ 12.7	3~5	φ 25
MAD25-45MH-20	45 deg Mirror holder	φ 20	3~5	φ 25
MAD25-45MH-25	45 deg Mirror holder	φ 25	3~5	φ 25
MAD25-45MH-30	45 deg Mirror holder	φ 30	3~5	φ 25
MAD25-45MH-M	45 deg adaptor for kinematic mirror mount	adaptor for the OMUS/OMHS series kinematic mirror mount		M4 on the top M6 at the bottom

### Dimensions:

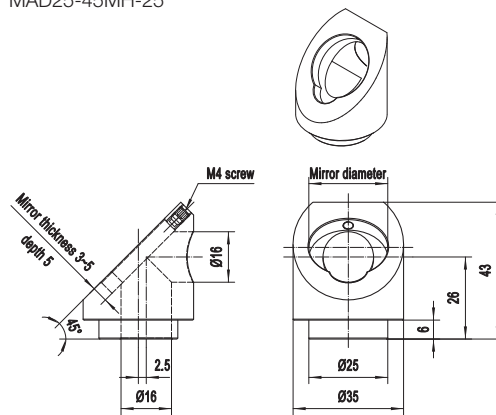
MAD25-45MH-12.7



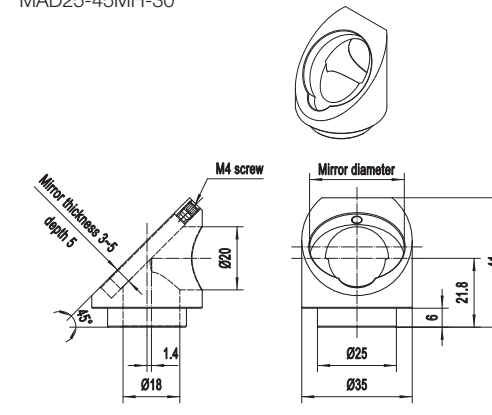
MAD25-45MH-20



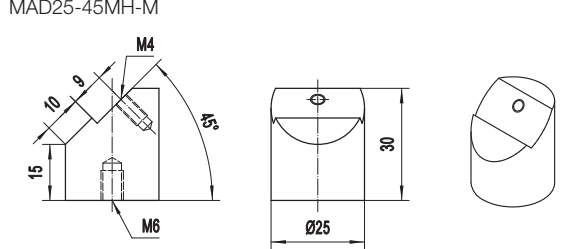
MAD25-45MH-25



MAD25-45MH-30



MAD25-45MH-M



Kinematic Lens Mount  
 Laser Mount  
 Kinematic Lens Mount  
 Kinematic Mount for Polarization Components  
 Filter Wheel and Filter Mount  
 Prism/Cylinder Kinematic Mount  
 Special Kinematic Mount  
 Spatial Filter  
 Post and Post Holder  
 Accessories  
 www.zolix.com.cn  
 Tel: 89101010